



OUTPUTS

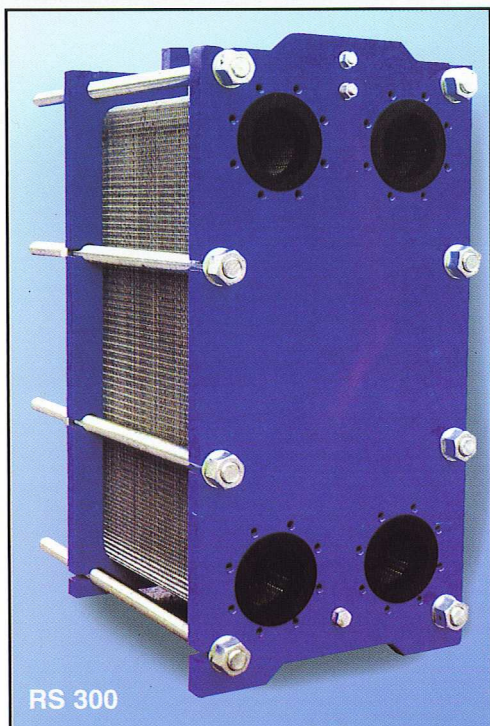
0.5 to 125ltr/min

Cooling/Heating

Product Data No. 0703

RS TURBOFLOW

FOR CHILLED WATER • FOR POOL & SEA WATER • FOR DISTRICT HEATING • FOR COMBINED HEAT & POWER • FOR INSTANTANEOUS DEMAND



RS 300

RS TURBOFLOW - WIDE RANGE OF SIZES

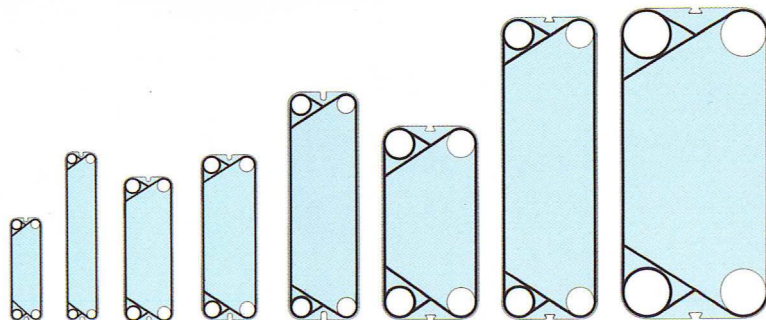
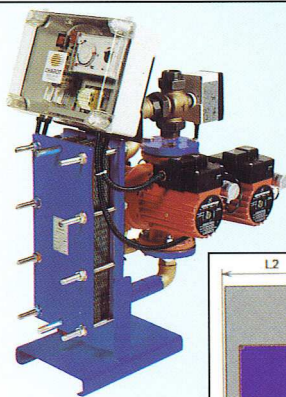
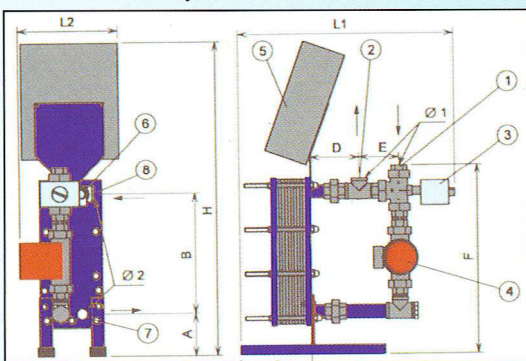


PLATE SIZES	041	080	100	125	250	300	450	650
WIDTH mm	140	140	189	240	305	417	417	655
HEIGHT mm	450	735	642	720	987	865	1318	1355
CONNECTIONS	32	32	40	65	80	100	100	200
MAX No. PLATES	49	49	49	129	251	401	401	401
MAX FLOWRATE l/sec	3.9	3.9	6.9	18	28	55	55	125
MAX WKG PRESS bars	16	16	16	16	16	8	8	16
MAX TEMP °C	150	150	150	150	150	150	150	120



Instant Hot Water PX Module 82kW - 720kW
with RS Turboflow
Electronic controller
Primary pump
Optional secondary pump
High limit thermostat
Safety valve

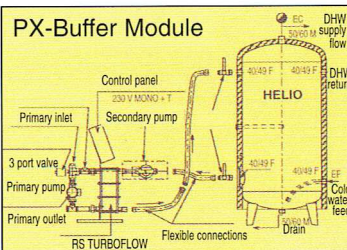


- ① Primary Inlet
- ② Primary Outlet
- ③ 3 - Port Valve
- ④ Primary Pump
- ⑤ Control Panel
- ⑥ Safety Valve
- ⑦ Secondary Outlet & Sensor
- ⑧ Secondary Inlet

	L1	L2	H	Ø1	Ø2	A	B	C	D	E	F	MaxWght
PRIMA	700	365	1000	33/42	33/42	137	380	226	165	127	600	85kg
DELTA	770	430	1000	33/42	33/42	137	380	300	165	127	600	90kg
MEGA	1250	500	1400	40/49	50/60	270	603	700	185	175	905	235kg

Instant Hot Water PX-Buffer Module 82kW - 274kW

Buffer litres	Dia mm	Hght mm	Input kW	Output L/Hr L/10mm	
				82	1560
300	550	1560	138	2630	730
				209	4000
				82	1560
500	650	1760	138	2630	930
				209	4000
				82	1560
750	800	1920	138	2630	1180
				209	4000
				82	1560
1000	800	2350	138	2630	1430
				209	4000
				138	2630
1500	1000	2290	274	5230	2350
				209	4000
				274	5230



with RS Turboflow
Electronic or electric controller
Primary pump pack
Safety valve & thermometer
Secondary pump pack
Insulated buffer vessel
Flexible connections
High limit thermostat

FOR FREE ADVICE

CALL: 0161 344 5664
Or: 020 7237 4912
Or Fax: 0161 339 8136

Box 11, Ashton Under Lyne, OL6 7TR.

