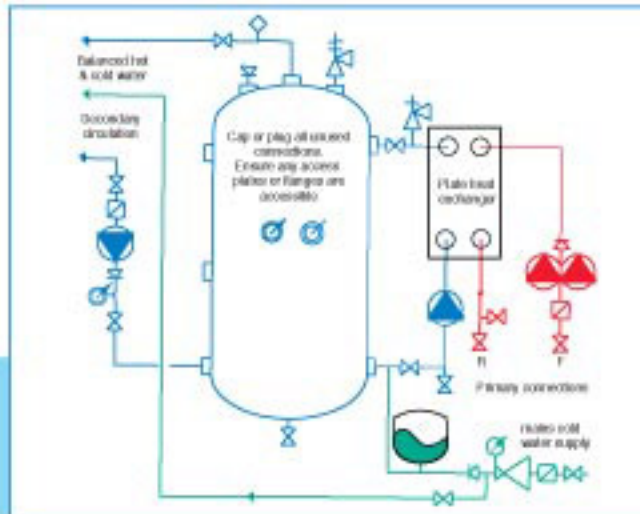
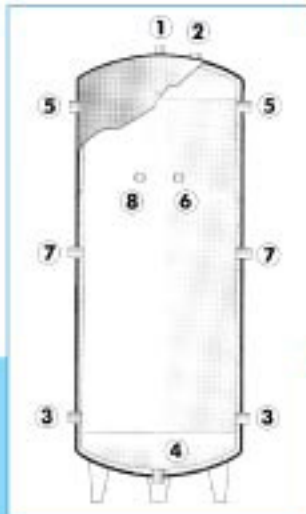


C20

C20 Buffer Storage Vessel

CAPACITY:
200 to 2500
ltrs storage

ATLANTIC BOILERS, formed in 1980, supplies condensing and highly efficiency domestic hot water generation, based on stainless steel manufacture. Stainless steel is hygienic, long lasting, resists scale build-up and is highly efficient at heat transfer. Manufacture takes place under ISO 9001:2000, under Directive 97/23/CE and according to EN 288-3:1992/A1:1997. ATLANTIC BOILERS has supplied highly efficient DHW generating plant to many types of important Buildings. Coupled with the supply, ATLANTIC BOILERS provides back-up commissioning, spares and servicing throughout the United Kingdom.



The C20 buffer vessel, alongside the RS TURBOFLOW plate heat exchanger, results in a lower and more efficient demand for boiler power. It also rapidly generates hot water at design temperature within 3 seconds of switching on and automatically overcomes problems of legionella.

- Single wall tanks for DHW storage for use with plate heat exchangers, storage water heaters etc
- Fabricated from chrome-nickel-molybdenum stainless steel

Model	CAPACITIES				CONNECTIONS (see diag)							
	Content litres	Height/Length mm	Diam mm	Dry Weight kgs	1 mm	2	3	4	5	6	7	8
C20-200	200	1220	570	38	32	20	32	20	32	15	32	15
C20-300	300	1725	570	69	32	20	32	20	32	15	32	15
C20-500	500	1780	730	95	32	20	32	20	32	15	32	15
C20-750	750	1930	830	128	32	20	32	20	32	15	32	15
C20-1000	1000	1780	1030	174	32	20	32	20	32	15	32	15
C20-1500	1500	2375	1030	255	40	20	32	20	32	15	32	15
C20-2000	2000	2080	1280	282	40	20	32	20	32	15	32	15
C20-2500	2500	2480	1280	343	40	20	32	20	32	15	32	15

Standard connections on stock vessels are as shown. Connections to request can be provided against a specific order

SPECIFICATION

- The C20 Series are single wall tanks for DHW storage and for use with the RS TURBOFLOW plate heat exchanger in the EXPRESSO assemblies
- The vessels are fabricated from chrome-nickel-molybdenum stainless steel, fitted with dished ends, argon-arc welded using the tungsten inert gas process, then de-stressed and surface treated. The vessels have a maximum working temperature of 90 °C.
- **Maximum working pressure of 8BARS.**
- The vessels are available in vertical (with legs) or horizontal (with cradles) form.
- All the vessels are thermally insulated with rigid, mould-injected CFC-free polyurethane foam with removable polyester outer jacket.
- Manufactured to ISO 9001:2000 (Certificate ESPMDD001829:27/11/03), under Directive 97/23/CE and according to EN 2883:1992/A1:1997.
- All the models are thermally insulated with rigid, mould-injected CFC-free polyurethane foam (classification ASTM D-1699) with an outer hard finish in polyester